

© 2009 Mazda Motor of America, Inc.

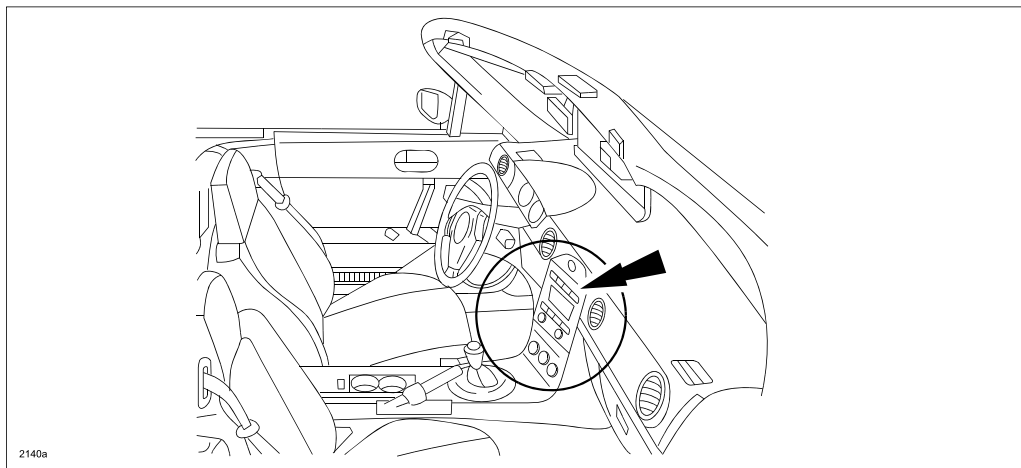
Subject: RATTLE NOISE FROM AUDIO SYSTEM WHEN DRIVING	Bulletin No: 09-038/09
	Last Issued: 07/22/2009

APPLICABLE MODEL(S)/VINS

2006-2008 MX-5

DESCRIPTION

Some vehicles may exhibit a rattle noise from the audio system when driving the vehicle. Vibration from the audio brackets generate the rattle noise. The audio brackets have been modified to eliminate the noise.

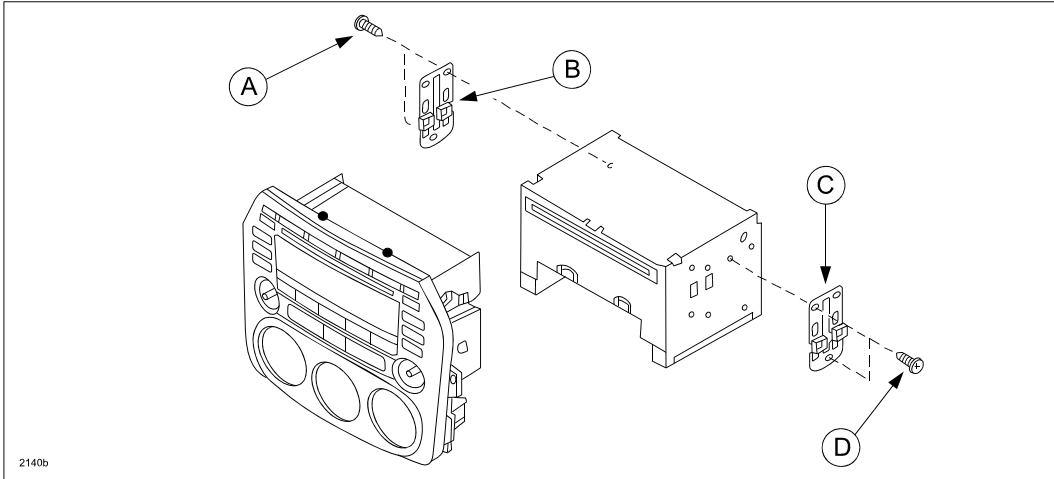


Customers having this concern should have their vehicle repaired using the following repair procedure.

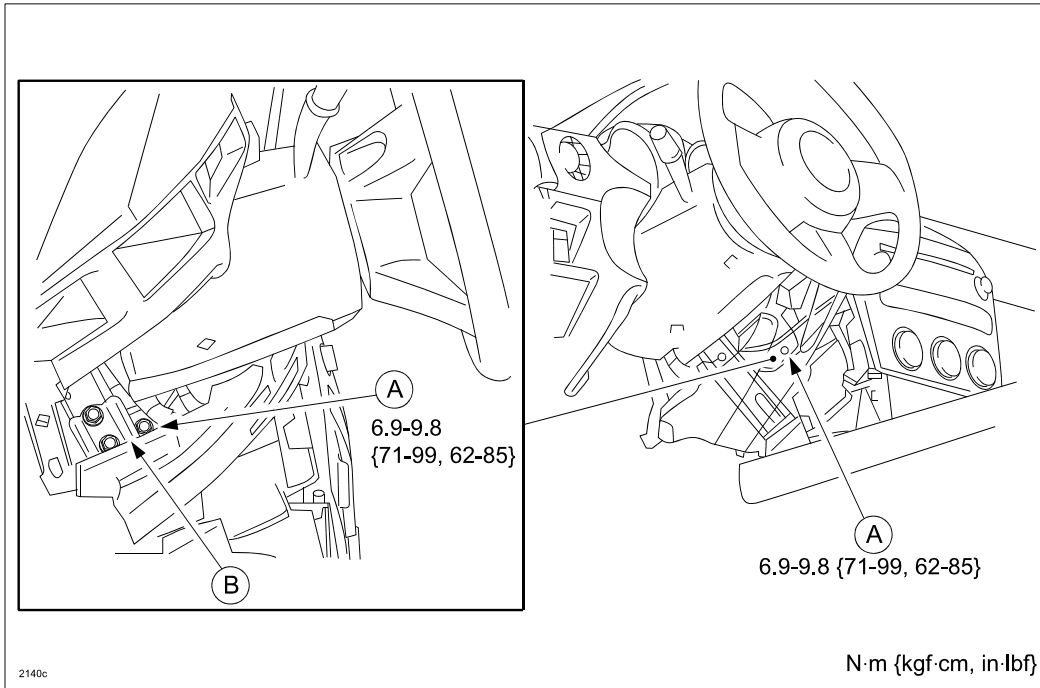
CONSUMER NOTICE: The information and instructions in this bulletin are intended for use by skilled technicians. Mazda technicians utilize the proper tools/equipment and take training to correctly and safely maintain Mazda vehicles. These instructions should not be performed by "do-it-yourselfers." Customers should not assume this bulletin applies to their vehicle or that their vehicle will develop the described concern. To determine if the information applies, customers should contact their nearest authorized Mazda dealership. Mazda North American Operations reserves the right to alter the specifications and contents of this bulletin without obligation or advance notice. All rights reserved. No part of this bulletin may be reproduced in any form or by any means, electronic or mechanical---including photocopying and recording and the use of any kind of information storage and retrieval system ---without permission in writing.

REPAIR PROCEDURE

1. Verify customer concern.
2. Remove center panel according to MS3 online instructions or Workshop Manual (section 09-20 CENTER PANEL UNIT REMOVAL/INSTALLATION).
3. Separate center panel and audio unit according to MS3 online instructions or Workshop Manual (section 09-20 CENTER PANEL UNIT DISASSEMBLY/ASSEMBLY).
4. Reinstall using new audio brackets (B and C) and screws (A and D) in reverse order of removal.



5. Install installation bolt (A) next to instrumentation panel bracket (B).



6. Verify repair.

PART(S) INFORMATION

Part Number	Description	Qty.	Notes
NH42-66-9B0	Audio Bracket	1	RH
NH52-66-9B0	Audio Bracket	1	LH
T060-66-A92	Antenna Screw	4	---
9945-90-612	Installation Bolt	1	---

WARRANTY INFORMATION

NOTE:

- This warranty information applies only to verified customer complaints on vehicles eligible for warranty repair.
- This repair will be covered under Mazda's New Vehicle Limited Warranty term.
- Additional diagnostic time cannot be claimed for this repair.

Warranty Type	A
Symptom Code	82
Damage Code	98
Part Number Main Cause	NH42-66-9B0
Quantity	1
Operation Number / Labor Hours:	XXE1NXXR / 0.4 Hrs.